

CUSTOMER'S JOB NO.
4 HT. x 0.4 PROUD

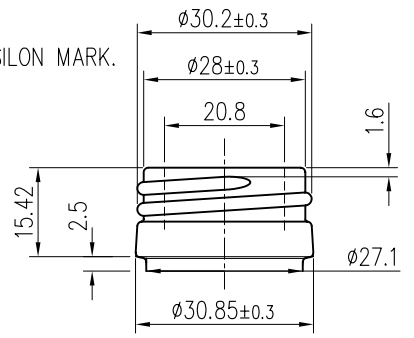
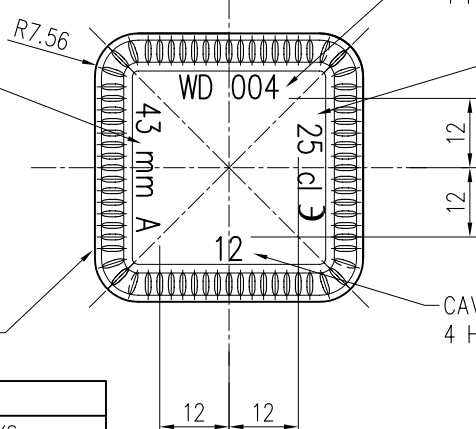
FILL CAPACITY & EPSILON MARK.
4 HT. x 0.4 PROUD

PITCH=3.63mm
WIDTH=2.2mm
TURN=RUN-OUT

CAVITY NO.
4 HT. x 0.4 PROUD

FILL POINT FIGURE
4 HT. x 0.4 PROUD

72 PTS BAR KNURLING ON
BEARING DIAMETER
EQUAL SPACING



REVISION

NO.	DATE	REMARKS



JOCHENLEE MOLDS & MACHINE
MFG., INC

CUSTOMER		WADI GLASS	
ITEM		WD004 250ML SQ BTL	
FINISH TYPE		31.5mm STD ROPP	
WEIGHT	249g ±10g	COLOUR	FLINT
FILL PT. CAP.	250ml ±5ml	DATE	10-07-06
BRIMFUL CAP.	265.4ml ±5ml	CHK'D	<i>[Signature]</i>
NOM. HEADSPACE	6.2%	DRG NO.	JCL06-183/PD-0
DES'D BY	NUR		